

# Maxi Centrefeed Dispenser

W2

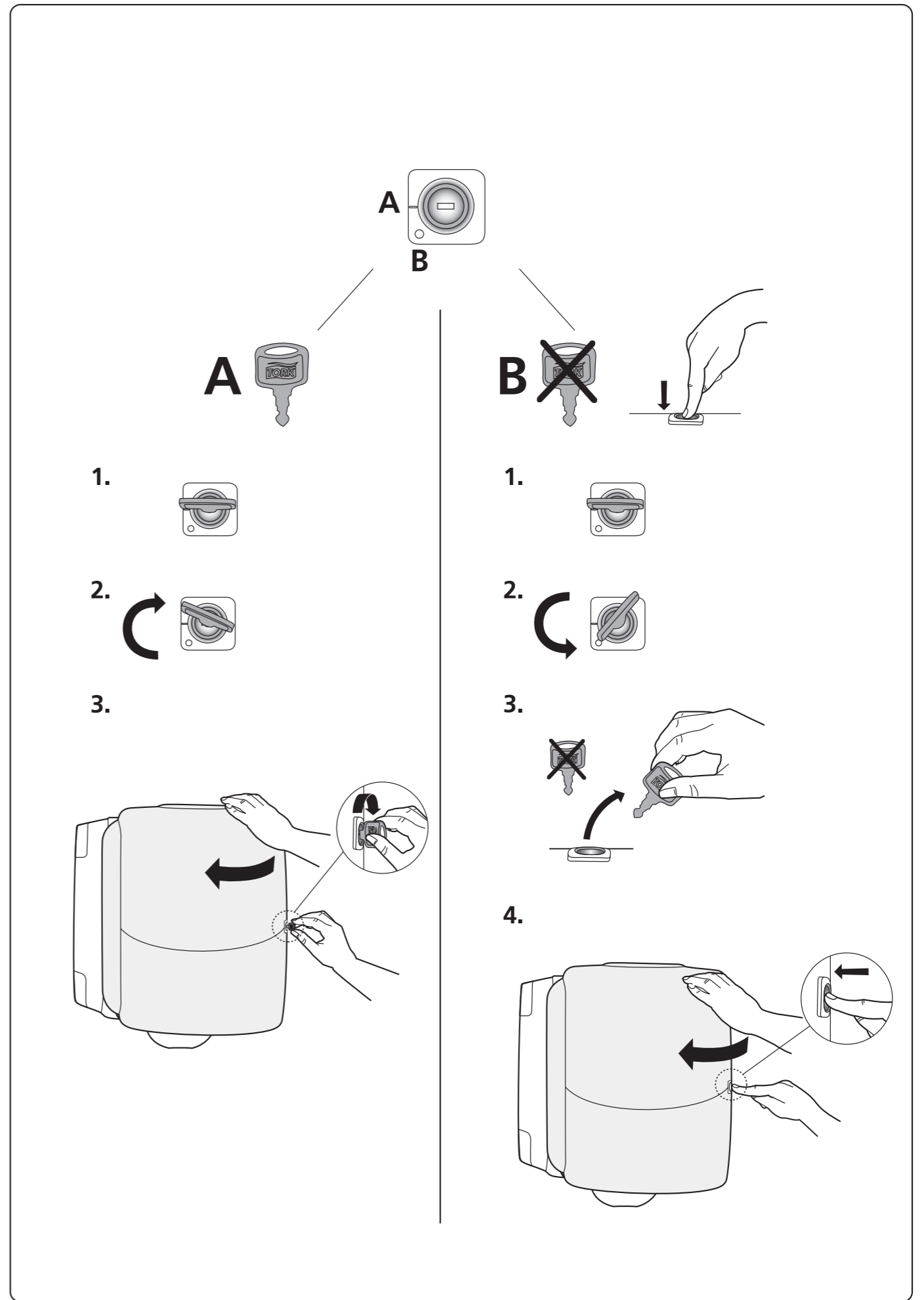
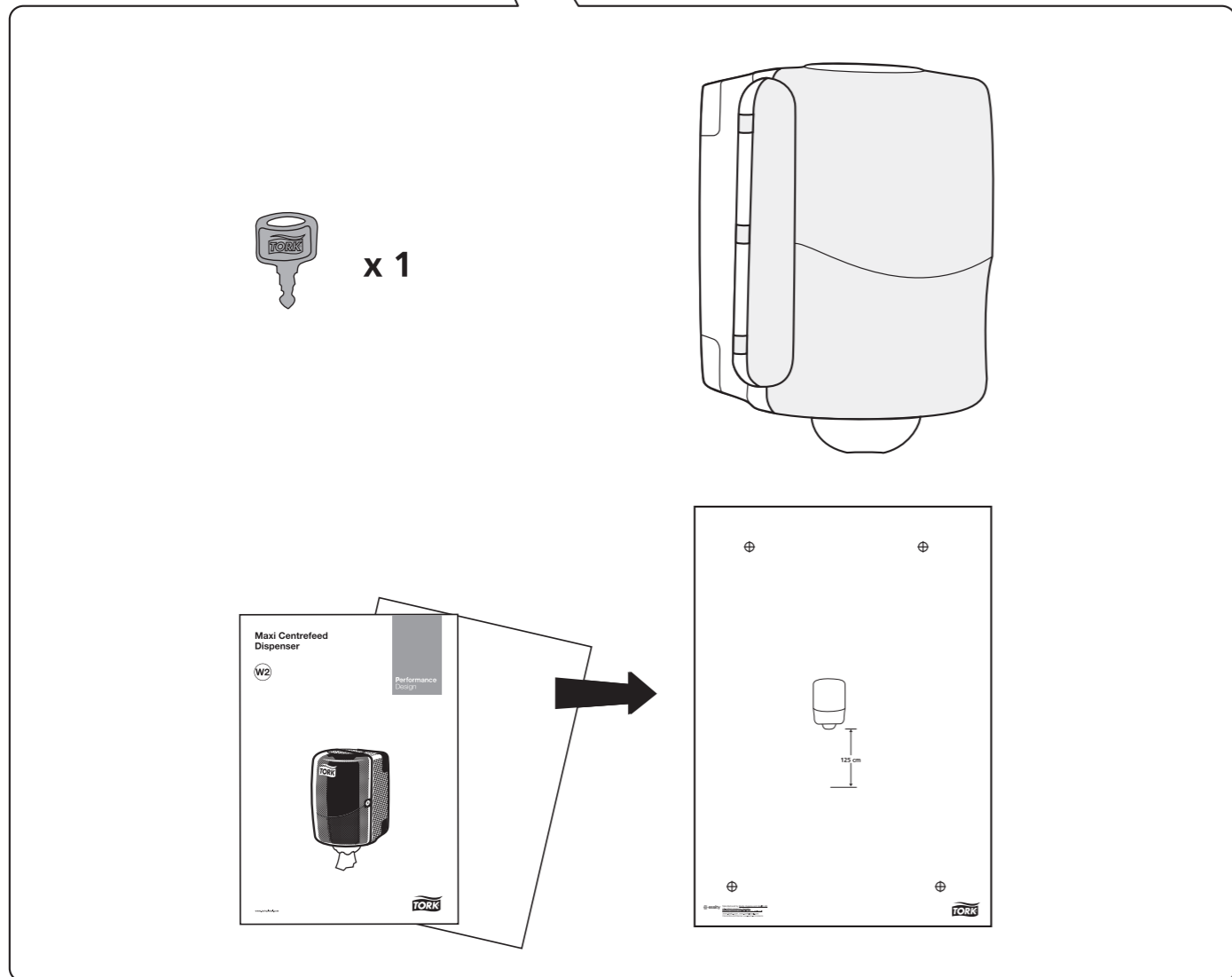
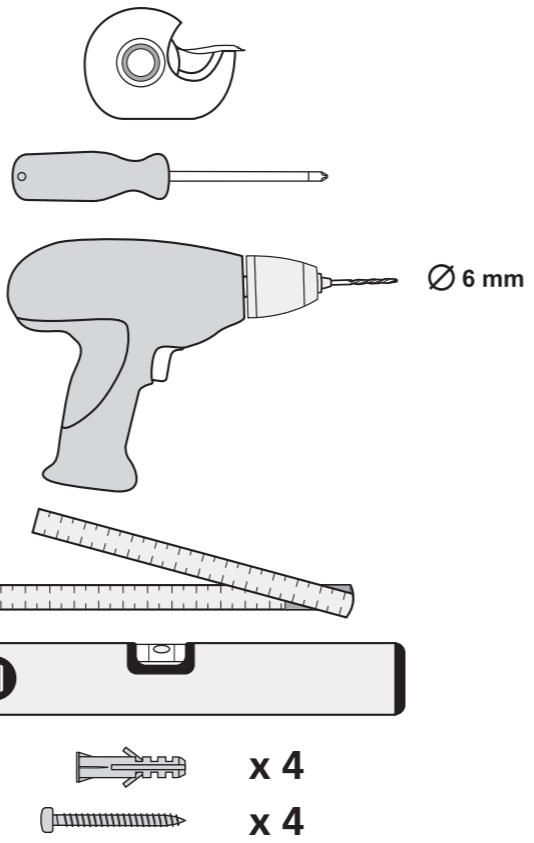
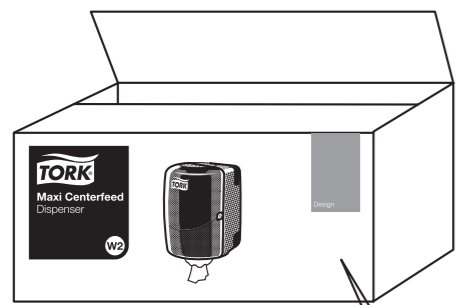
Performance  
Design



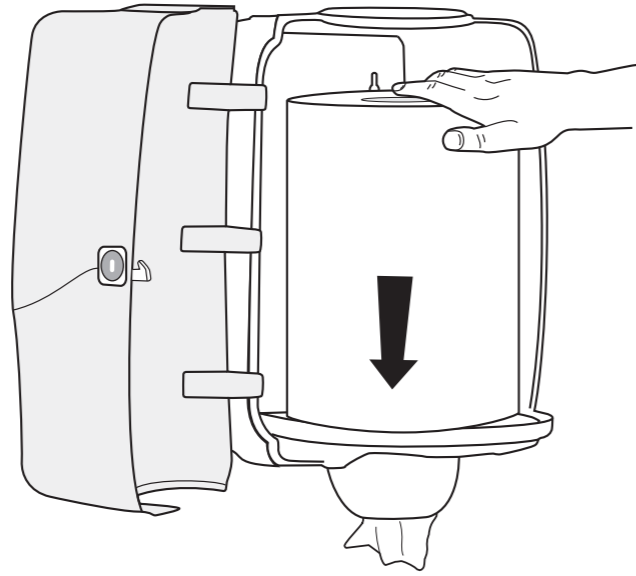
 **essity** Manufactured by Essity Hygiene and Health AB  
SE-40503 Göteborg, Sweden  
Visiting address: Mölndals Bro 2, Mölndal  
www.essity.com, www.torkglobal.com  
Made in Germany  
Patents/Brevets/Patentes: www.essity.com/patents  
Essity UK Limited  
Southfields Road, Dunstable,  
Bedfordshire, LU6 3EJ, UK

[www.torkglobal.com](http://www.torkglobal.com)

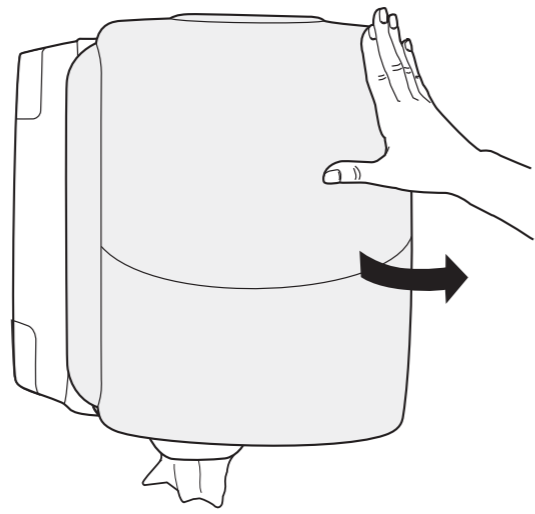
 **TORK**



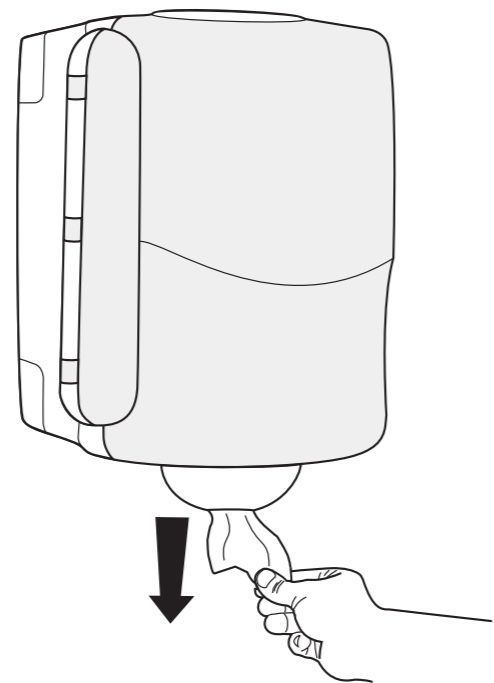
4.



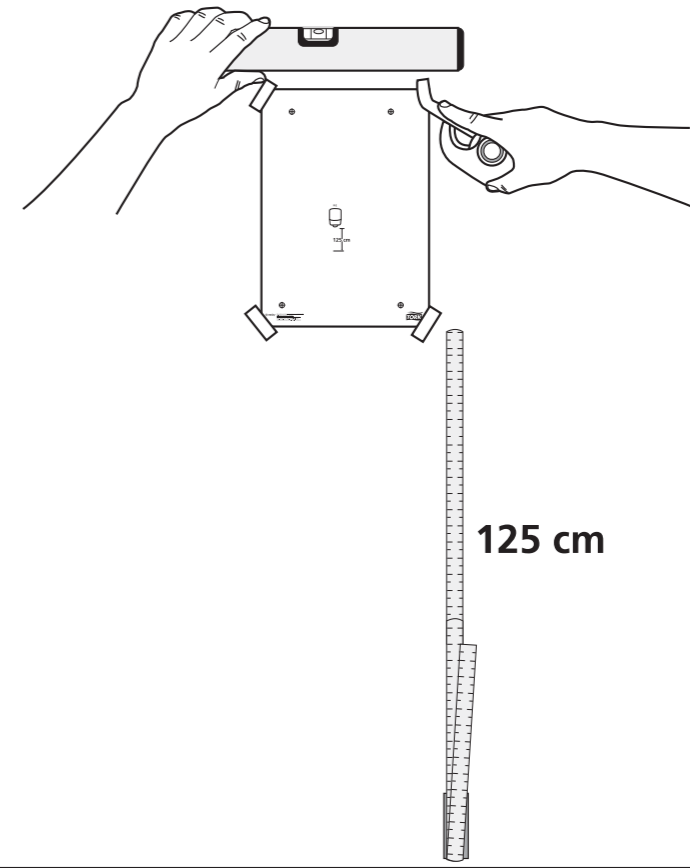
5.



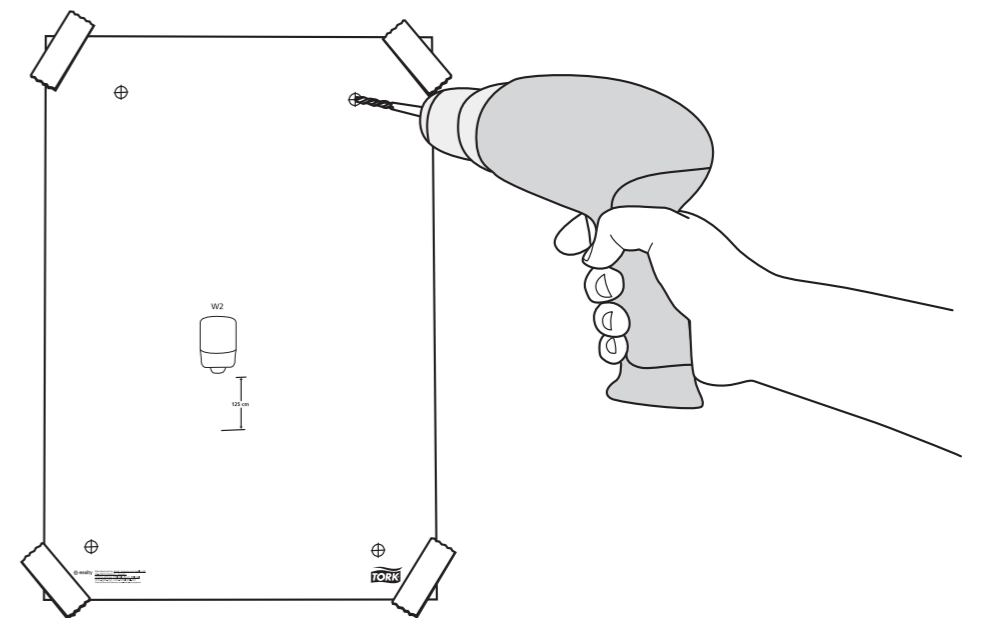
6.





1.

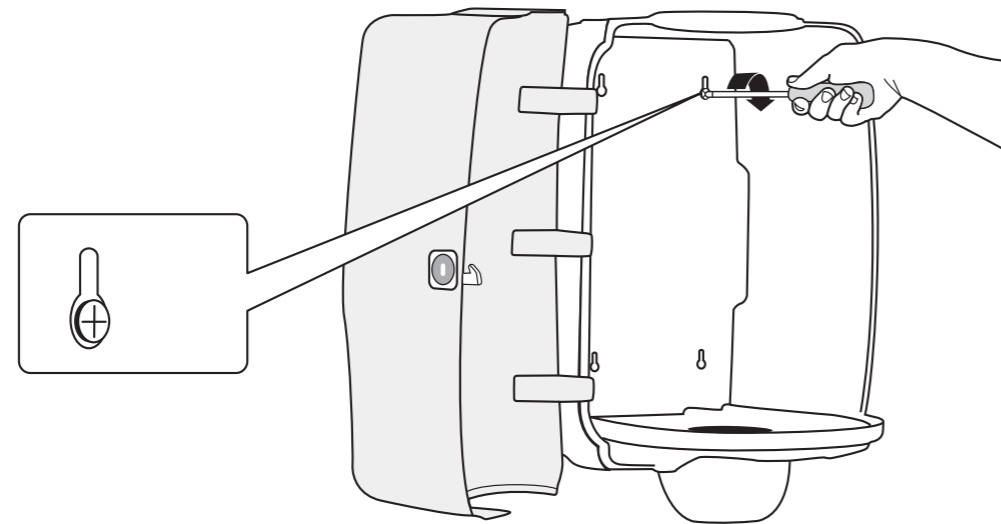


2.

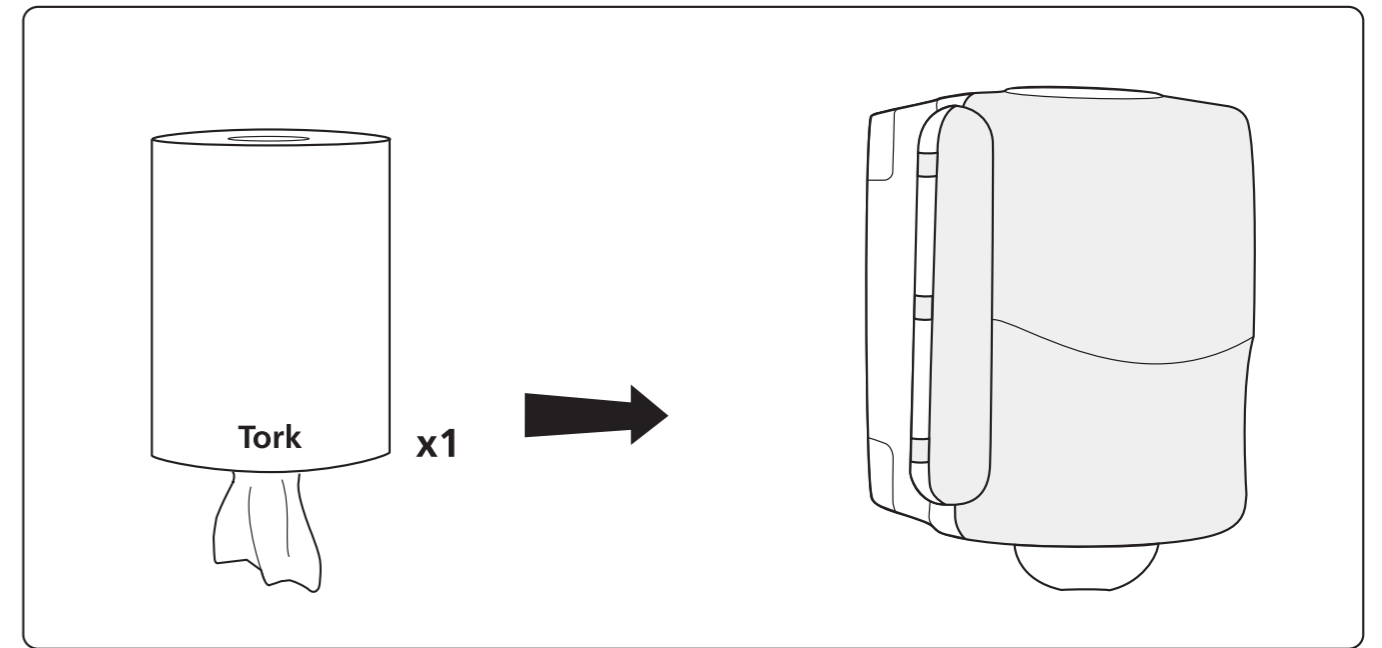
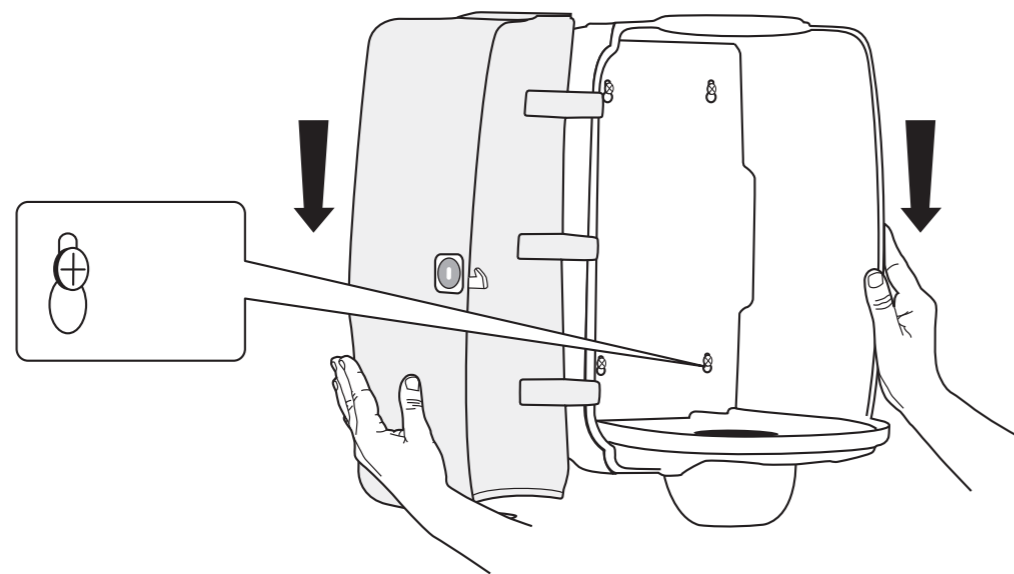


3.

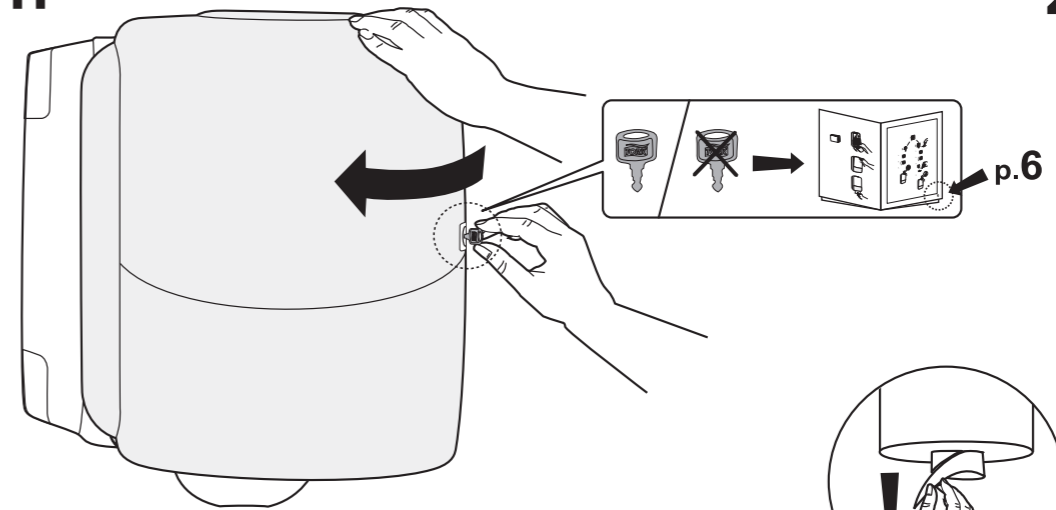
 x4  
 x4



4.



1.



2.

3.

